

Hotel Electric Lock: *Peripherals*

# Door Control Unit



Wall-mount reader  
DCU.DP

/ Controller and power supply  
MPC1

- Can be used for common door access.
- Reader to be programmed to lock and unlock automatically at predetermined times, set by the property.
- DC12V or DC24V output is available for Magnetic locks, electrified panic bars, electric strikes or other locking device.
- Battery backup is available (Battery is not included).
- Mobile key option available.

---

## MIWA LOCK CO., LTD.

JAPAN 3-1-12, Shiba, Minato-ku, Tokyo 105-8510  
URL: [www.miwa-lock.biz](http://www.miwa-lock.biz)

U.S.A 9272 Jeronimo, Suite 119, Irvine CA 92618  
URL: [www.miwalock.com](http://www.miwalock.com)

# Specifications

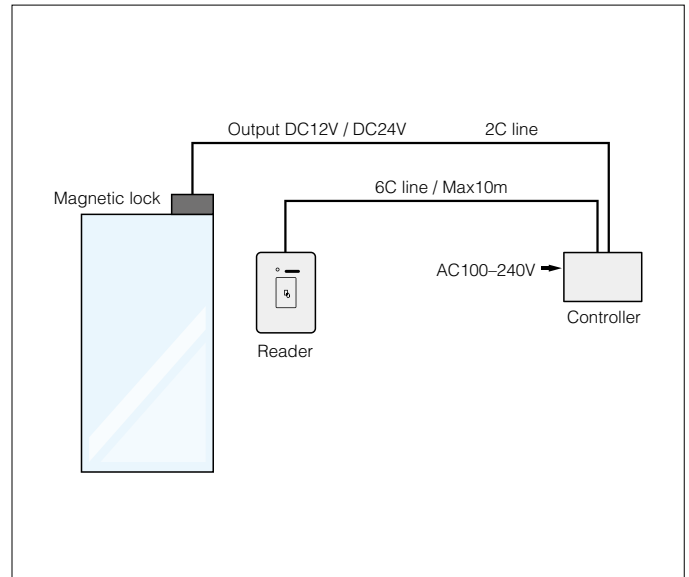
## Wall mount card reader

Type	DCU.DP (RFID only)
External dimensions	W 121mm x H 184mm x D 68.8mm
Weight	300g
Power supply	Supplied from controller
Environmental condition	-5°C~+50°C / 20~80%RH (No condensation)

## Controller and power supply

Type	MPC1 (With Battery Space)
External dimensions	MPC1: W 330mm x H 343mm x D 86mm Note: The lid size is not included.
Weight	MPC1: 2.86kg
Power supply	AC100V/1.5A or AC230V/1.0A
Output	Normal open or close contact 1 relay
Duration of contact	3~18 sec. adjustable
Contact capacity	DC30V / 5A
Environmental condition	Internal installation only 0°C~+50°C / 20~80%RH (No condensation)
Certification	UL 60950-1, EN 60950-1 EN 61000-6-3, EN 55011, EN55032

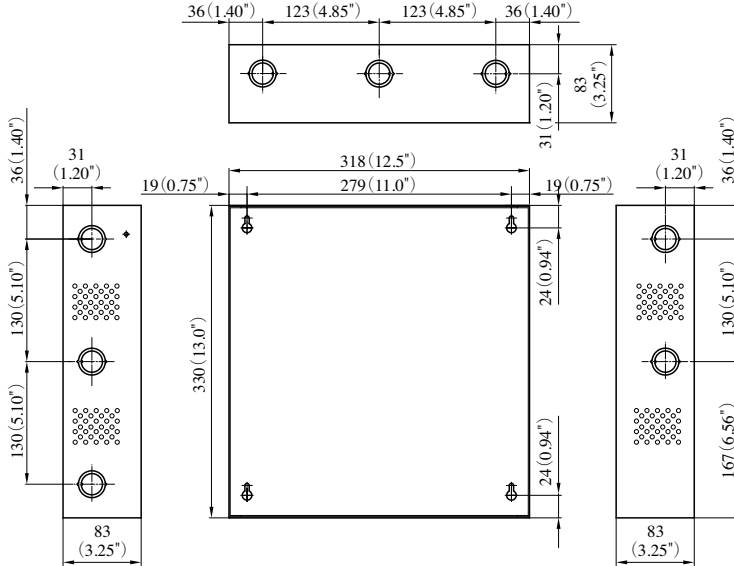
# Diagram



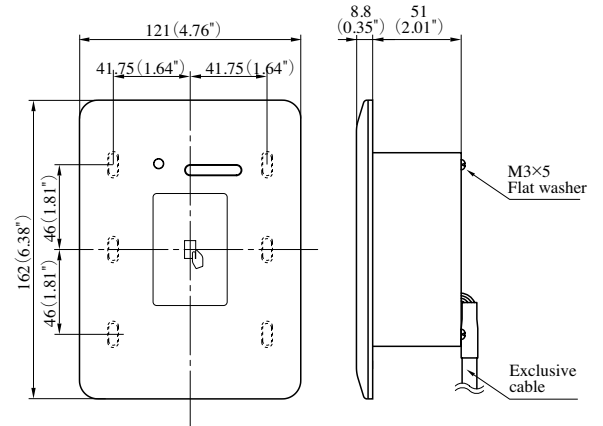
# Detail Drawing

## MPC1 (With Battery Space)

Note: The lid size is not included.



## DCU.DP



Hotel Electric Lock: *Peripherals*

# Door Control Unit



Wall-mount reader / Controller and power supply  
DCU4.DP / MPC1

- Can be used for common door access.
- Reader to be programmed to lock and unlock automatically at predetermined times, set by the property.
- DC12V or DC24V output is available for Magnetic locks, electrified panic bars, electric strikes or other locking device.
- Battery backup is available (Battery is not included).
- Mobile key option available.

---

## MIWA LOCK CO., LTD.

JAPAN 3-1-12, Shiba, Minato-ku, Tokyo 105-8510  
URL: [www.miwa-lock.biz](http://www.miwa-lock.biz)

U.S.A 9272 Jeronimo, Suite 119, Irvine CA 92618  
URL: [www.miwalock.com](http://www.miwalock.com)

# Specifications

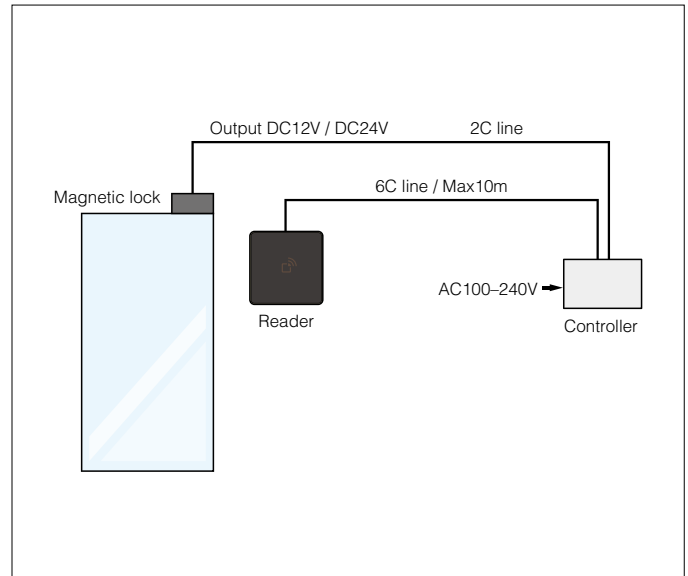
## Surface mount card reader

Type	DCU4.DP
External dimensions	W 126.5mm x H 126.5mm x D 16.7mm
Weight	109g
Power supply	Supplied from controller
Environmental condition	-5°C~+50°C / 20~80%RH (No condensation)

## Controller and power supply

Type	MPC1 (With Battery Space)
External dimensions	MPC1: W 330mm x H 343mm x D 86mm Note: The lid size is not included.
Weight	MPC1: 2.86kg
Power supply	AC100V / 1.5A or AC230V / 1.0A
Output	Normal open or close contact 1 relay
Duration of contact	3~18 sec. adjustable
Contact capacity	DC30V / 5A
Environmental condition	Internal installation only 0°C~+50°C / 20~80%RH (No condensation)
Certification	UL 60950-1, EN 60950-1 EN 61000-6-3, EN 55011, EN55032

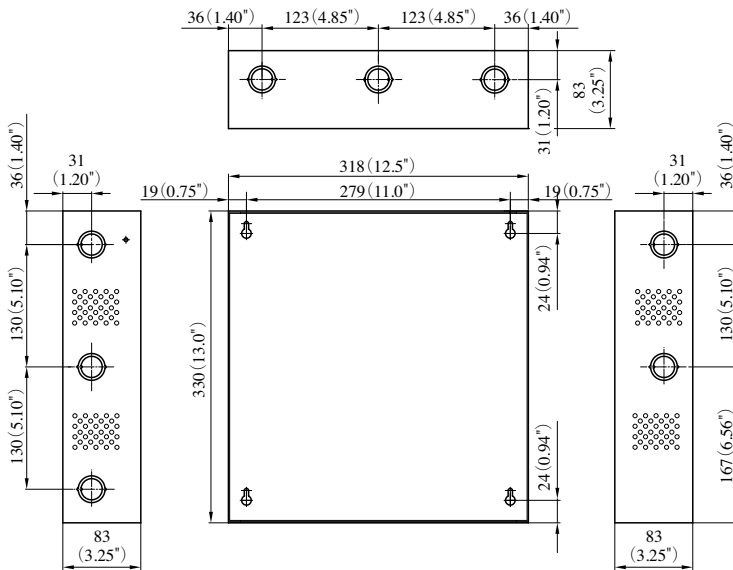
# Diagram



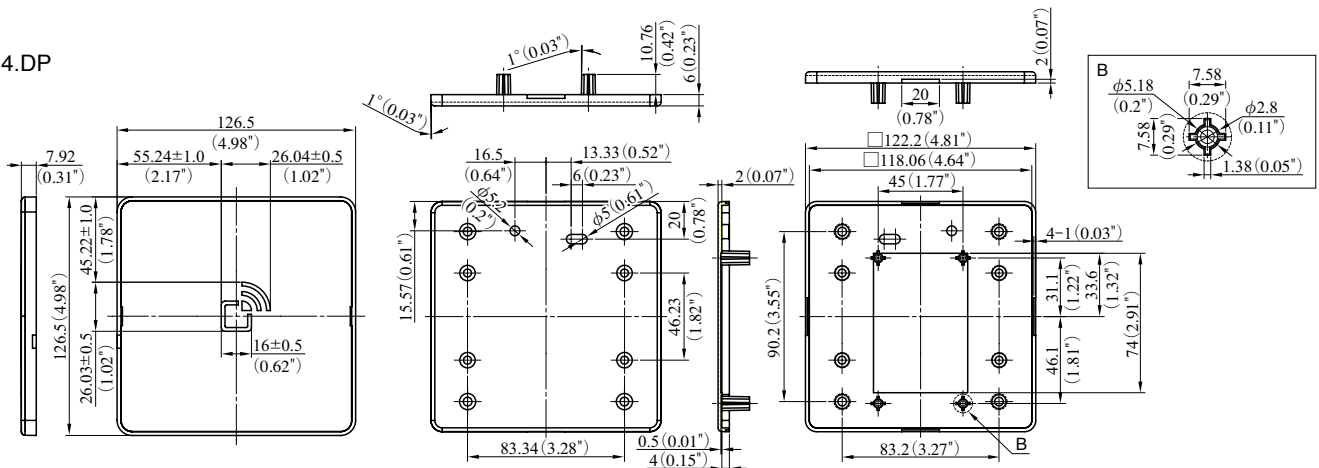
# Detail Drawing

## MPC1 (With Battery Space)

Note: The lid size is not included.

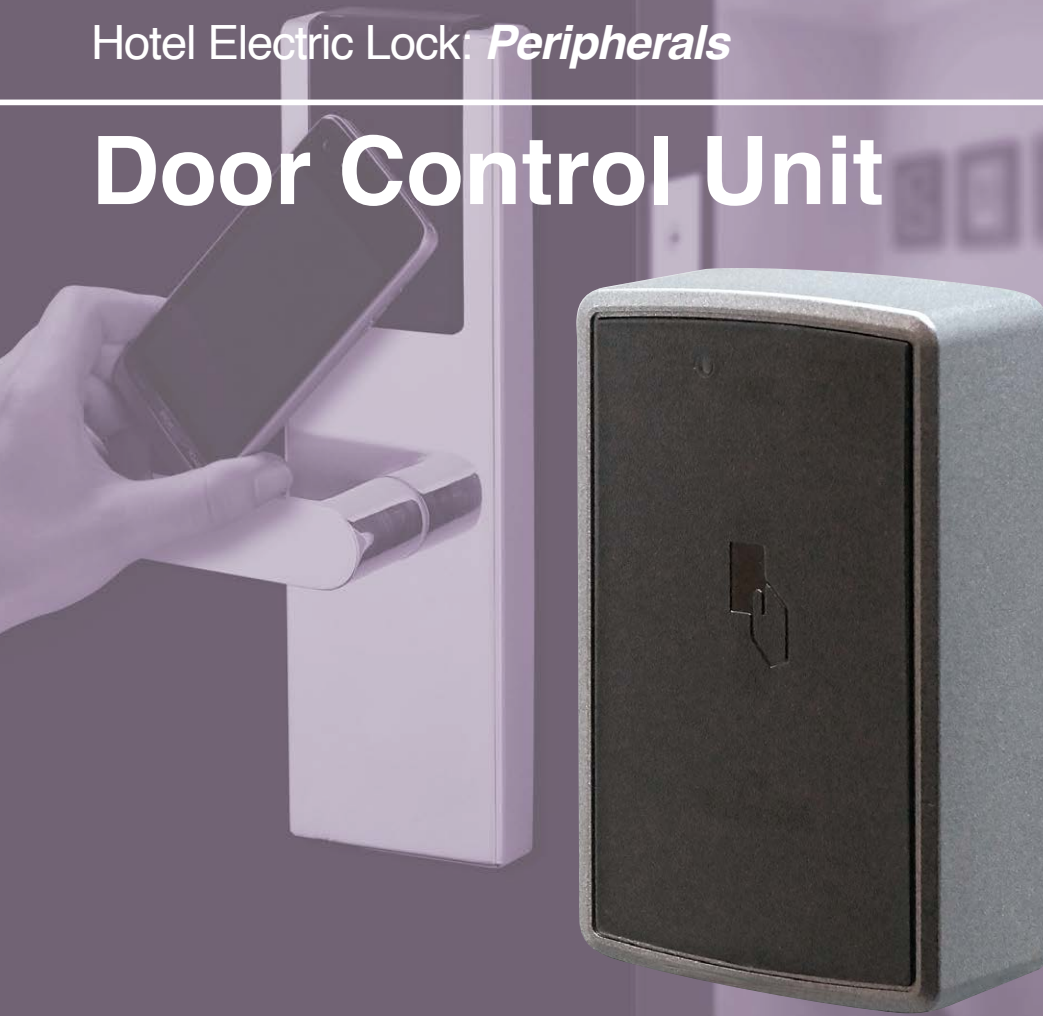


## DCU4.DP



Hotel Electric Lock: *Peripherals*

# Door Control Unit



Surface-mount reader  
DCU3.DP

/ Controller and power supply  
MPC1

- Can be used for common door access.
- Reader to be programmed to lock and unlock automatically at predetermined times, set by the property.
- DC12V or DC24V output is available for Magnetic locks, electrified panic bars, electric strikes or other locking device.
- Battery backup is available (Battery is not included).
- Mobile key option available.

---

## MIWA LOCK CO., LTD.

JAPAN 3-1-12, Shiba, Minato-ku, Tokyo 105-8510  
URL: [www.miwa-lock.biz](http://www.miwa-lock.biz)

U.S.A 9272 Jeronimo, Suite 119, Irvine CA 92618  
URL: [www.miwalock.com](http://www.miwalock.com)

# Specifications

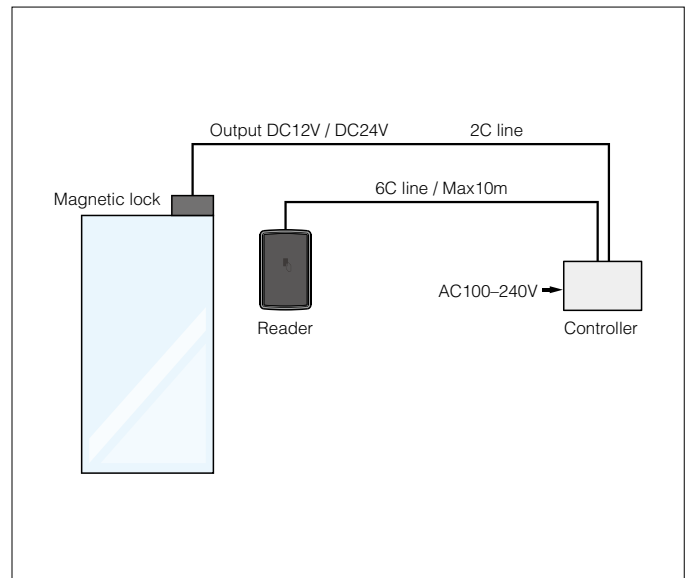
## Surface mount card reader

Type	DCU3.DP
External dimensions	W 76mm x H 120mm x D 33mm
Weight	270g
Power supply	Supplied from controller
Environmental condition	-5°C~+50°C / 20~80%RH (No condensation)

## Controller and power supply

Type	MPC1 (With Battery Space)
External dimensions	MPC1: W 330mm x H 343mm x D 86mm Note: The lid size is not included.
Weight	MPC1: 2.86kg
Power supply	AC100V / 1.5A or AC230V / 1.0A
Output	Normal open or close contact 1 relay
Duration of contact	3~18 sec. adjustable
Contact capacity	DC30V / 5A
Environmental condition	Internal installation only 0°C~+50°C / 20~80%RH (No condensation)
Certification	UL 60950-1, EN 60950-1 EN 61000-6-3, EN 55011, EN55032

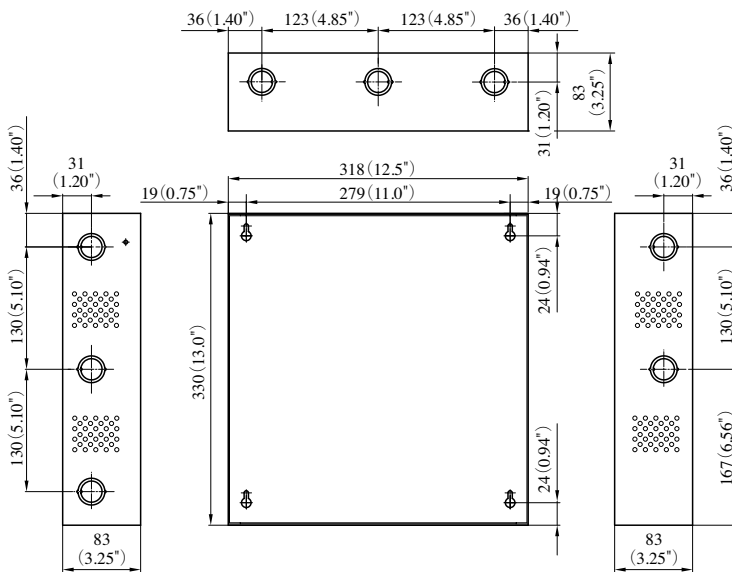
# Diagram



# Detail Drawing

## MPC1 (With Battery Space)

Note: The lid size is not included.



## DCU3.DP

