

ALV2 (ALVB) P series/ LOCK (EURO TYPE)

# Handle & Color Variation



ALV2 (ALVB)EPHA476-3 (ST)



ALV2 (ALVB)EPHA66-3 (BS)

The pressed stainless steel escutcheon is available as standard in 6 high-quality finishes.

Type 478 Handle



Satin Chrome Finish (ST)  
Key Override available as an option.

Type 66 Handle



Polished Chrome Finish (SB)

Type 476 Handle



Satin Brass Finish (BS)

Type 74 Handle



Polished Brass Finish (YB)

Type 476 Handle



Mid Bronze Finish (CB)

Type 66 Handle



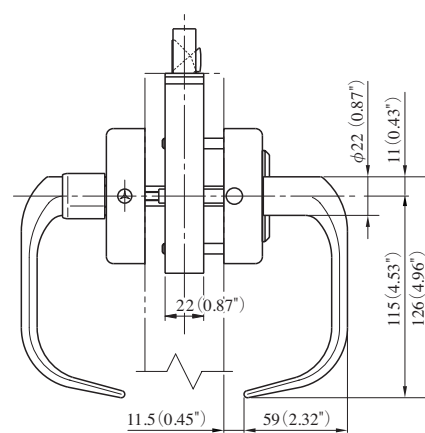
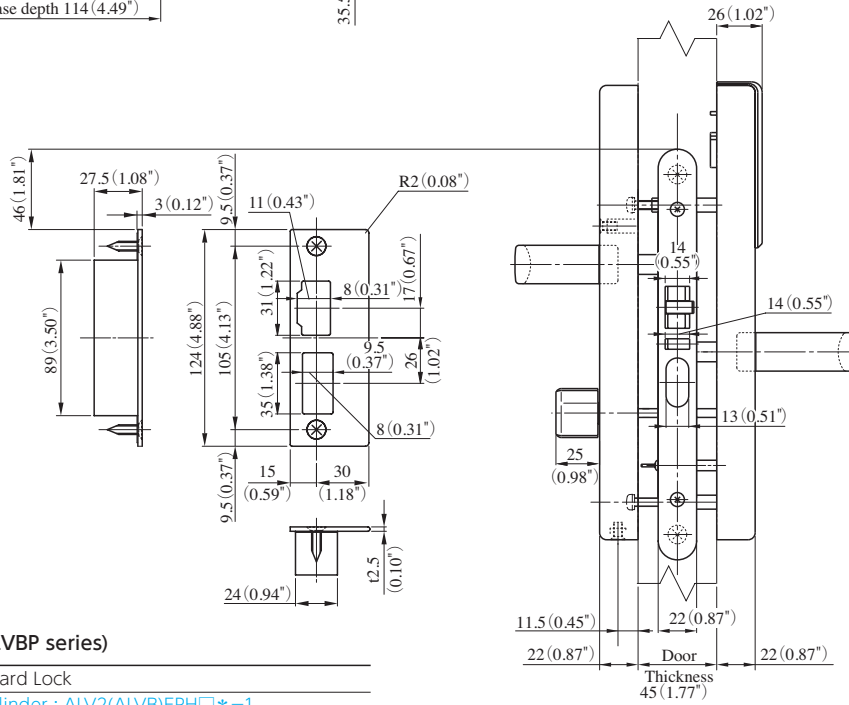
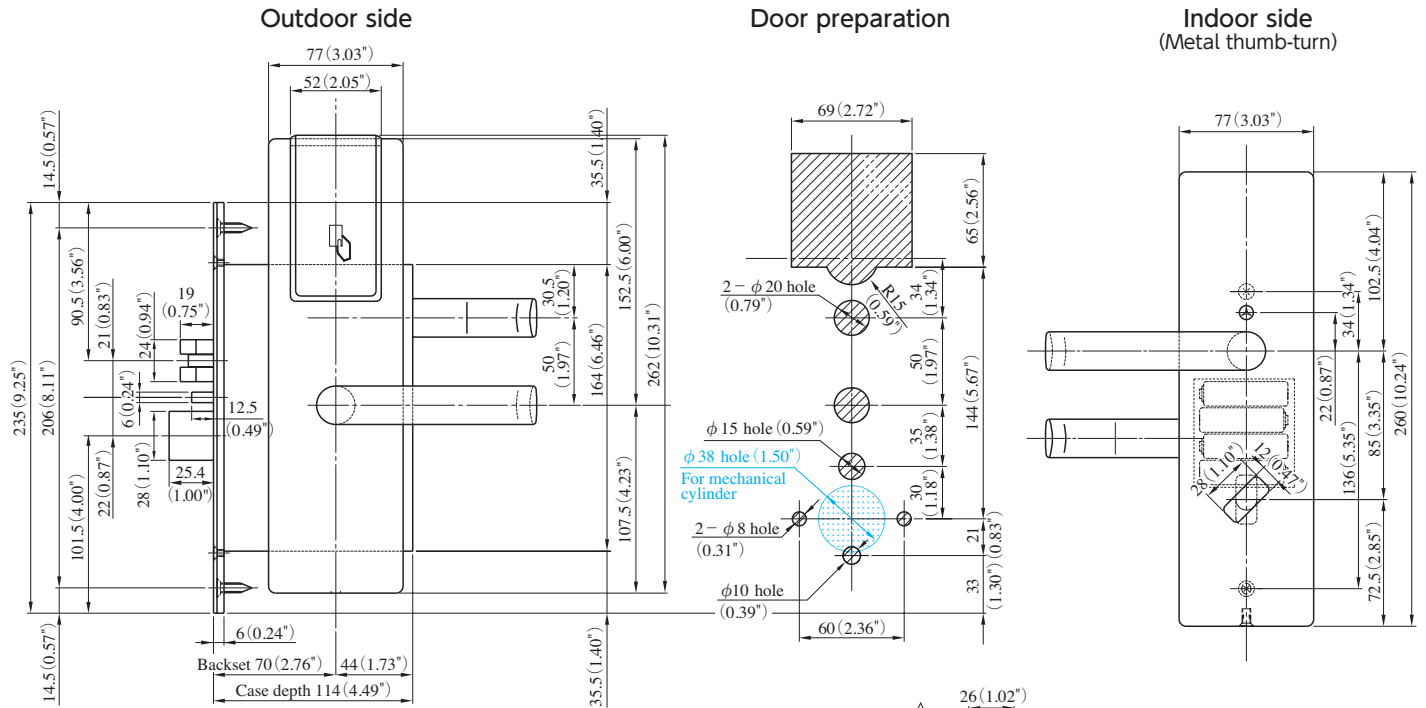
Matt Black Finish (BK)

## MIWA LOCK CO., LTD.

JAPAN 3-1-12, Shiba, Minato-ku, Tokyo 105-8510  
URL: [www.miwa-lock.biz](http://www.miwa-lock.biz)

U.S.A 9272 Jeronimo, Suite 119, Irvine CA 92618  
URL: [www.miwalock.com](http://www.miwalock.com)

# Detail Drawing



## Specifications (ALV2P/ALVBP series)

Product Name	Hotel Card Lock
Product Number	with cylinder : ALV2(ALVB)EPH□* -1 without cylinder : ALV2(ALVB)EPH□* -3 □= A : 22mm , B : 24mm , C : 26mm , E : 28mm F : 30mm , G : 32mm *shows a handle symbol
Mountable Handles	66 · 74 · 476 · 478
Mountable Cylinders	U9
Backset	70mm
Material/Finish	Satin Chrome (ST) Polished Chrome (SB) Satin Brass (BS) Polished Brass (YB) Mid Bronze (CB) Matt Black (BK)
Door thickness	35 ~ 65mm
Usability	Left-hand and right-hand usable (inward opening)
Power Supply	4 AA alkaline batteries
Mobile key	only ALVB is available